

Freedom Arms gun.

Loading and unloading the Colt was a snap because the cylinder lined up with the loading port perfectly, when you backed the cylinder up against the hand. The drill to unload a SA handgun (except Rugers) is to index the cylinder until it clicks to the next chamber, back the cylinder up against the hand and hold it there, then hit the ejector rod. Repeat as needed. This technique gets a single-action handgun unloaded very quickly. With the muzzle elevated, empties ought to slip right out, and with the Colt Cowboy they did just that.

The trigger pull was rough and heavy. It broke at 6.0 pounds. This good-looking Colt would benefit greatly from a trigger job, in our estimation. The sight picture was much better than that of the old Colts, with a wider front blade and slightly wider rear notch. These are not target sights, but are more than adequate for the type. The Cowboy shot darned near exactly where it looked, at 15 yards range. The Cowboy Action shooter will like that, and so would Bat Masterson.

## Freedom Arms Model 1997

**Our recommendation:** Nobody makes handguns tighter or cleaner than Freedom, and few companies make them shoot as good, much less better, for a given caliber. This doesn't mean Freedom's Model 1997 .45 Long Colt is perfect, and it's not really suited to Cowboy Action competition, but it's a dogged good handgun.

Dark red "wine-wood" laminated grips that seem to grow out of the stainless grip. Zero slop in anything, whether or not it actually moves. No perceptible end-play in the cylinder. Exactly no motion to the cylinder when the hammer is cocked and the gun is ready to shoot. Line-bored cylinders. Perfect, glare-free yet attractive polish to the white-

## FREEDOM ARMS MODEL 1997

Price.....\$1492

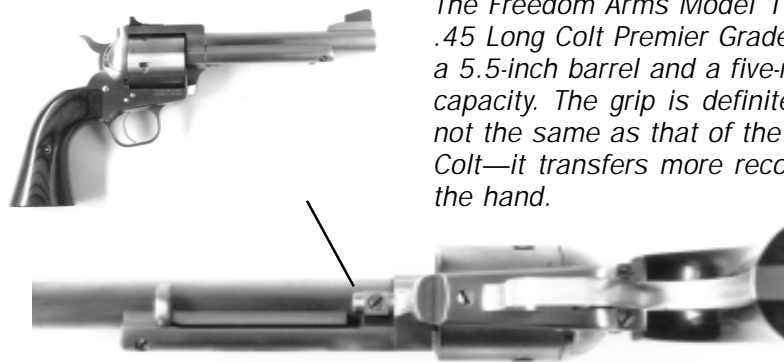


### SPECIFICATIONS

Warranty: None Written

FINISH .....	Matte Stainless	SIGHT RADIUS .....	6.8 in.
WEIGHT .....	36.3 oz.	CAPACITY .....	5
OVERALL LENGTH .....	10.6 in.	GRIP MATERIAL .....	LAM. WOOD
OVERALL HEIGHT .....	5.4 in.	ACTION TYPE .....	Single
MAXIMUM WIDTH .....	1.6 in.	TRIGGER PULL .....	3.0 lbs.
BARREL LENGTH .....	5.5 in.	TRIGGER REACH .....	2.9 in.

**Our recommendation:** It's not really suited to Cowboy Action competition, but it's a good handgun. Buy it if you can handle the price.



*The Freedom Arms Model 1997 .45 Long Colt Premier Grade has a 5.5-inch barrel and a five-round capacity. The grip is definitely not the same as that of the SA Colt—it transfers more recoil to the hand.*



*The Freedom came with two five-shot cylinders, one for .45 Long Colt and the other for .45 ACP. We didn't like having to use a screwdriver to get the cylinder out of the gun. The screw is visible here in the knurled portion of the front of the base pin.*

*The Freedom came with an intriguing gun-lock device. It had the form of a rod that inserted into the barrel and cylinder (here removed for clarity). The end within the gun had fingers that were released outward by turning a computer-style cylindrical key. With the fingers deployed it is impossible to remove the lock from the gun, rendering it impossible to fire. Two keys came with the unit.*

