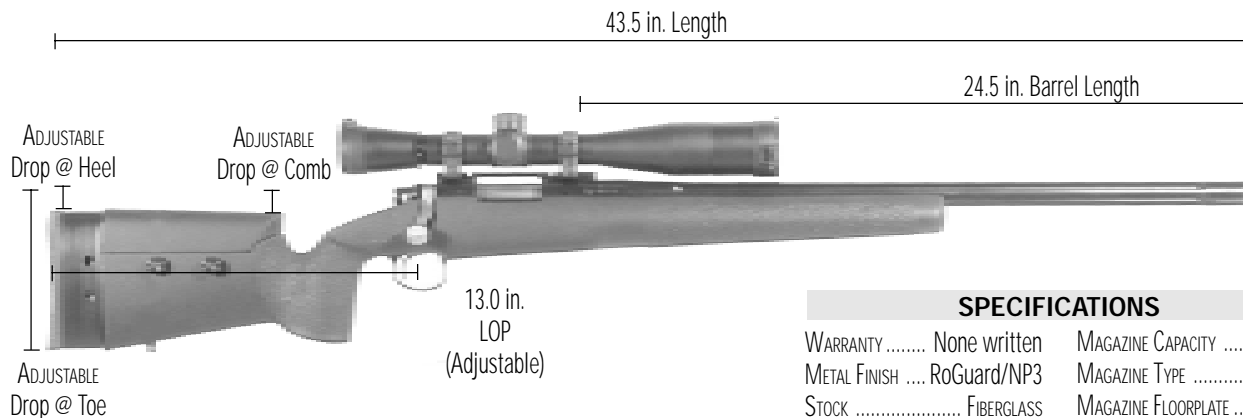


# ROBAR SR 90 .308 WINCHESTER

Price.....\$5,200



**Our recommendation: Superb accuracy, flawless function. The right tool for the job.**

## SPECIFICATIONS

WARRANTY .....	None written	MAGAZINE CAPACITY .....	4
METAL FINISH ....	RoGuard/NP3	MAGAZINE TYPE .....	BOX
STOCK .....	FIBERGLASS	MAGAZINE FLOORPLATE .....	Alum
FINISH .....	Matte	ACTION TYPE ....	Bolt (Rem 700)
WEIGHT .....	13.9 lbs.	TRIGGER PULL .....	2.5 lbs.



*Robar used a Lilja fluted barrel on the SR 90. Fluting is said to permit the barrel to cool more quickly. We found it got hot very quickly on the outer surface.*



*The outstanding Parker Hale bipod's legs can be easily folded or deployed, and can be extended over a series of steps with one hand.*



*The Robar rifle shot best with Winchester Supreme 168-grain Nosler boattail match bullets. One target measured only 0.19 inch.*

a half-inch wrench onto one-piece bases.

Robar and Autauga used the excellent flip-up Butler Creek scope covers, and Robar installed the Leupold extension lens shade onto its scope.

Both the Autauga and Robar rifles were built around the Remington 700 BDL action, and retained the magazine and dropping floorplate features. The Dakota used its proprietary action, which is a close copy of the Winchester Model 70 with controlled feed, and had a blind magazine. Here's how the guns performed.

### Robar SR 90

**Our recommendation: On average, with both Winchester and Federal Gold Medal match, the Robar could be relied on to put all of its shots from a slightly fouled barrel into half an inch or less. If you're a professional law**

**enforcement or military officer with long-range accuracy needs—or a consumer who loves precision riflework—this gun is worth examining.**

Easily the most attractive of the bunch, this \$5,200 rifle (as equipped, including excise tax, hard carrying case, bipod, and a special price on the scope) had a quick-detachable \$375 Parker Hale (English) bipod that is a mighty nice piece in itself. The bipod had quick-extendible legs that could be instantly folded. We liked the bipod for resting the rifle on the ground.

The .308-chambered SR 90 also had a detachable front sling block (which also held the bipod attach point) affixed into a channel under the forend. This permitted quick adjustments for the support-hand position when using a target-type rifle sling. We removed the bipod and sling attach point for our accuracy testing, so they wouldn't inter-

fere with our machine rest.

The 13.9-pound Robar (add 1.5 pounds for the bipod) was fitted with a fluted Lilja barrel. The rifle arrived at Gun Tests without the barrel having been broken in. The superb instruction manual that accompanied the rifle (see sidebar) gave detailed instructions how to break-in the barrel, and we followed the text religiously. This required 30 rounds. The manual also required the shooter to clean the barrel after no more than five shots, following the break-in period, and again we did just that. However, we found that placement of the first shot was not the same as the following four shots in our five-shot groups.

The metal of the SR 90 was finished in Robar's proprietary dull black RoGuard. The bolt, magazine follower, floorplate release button, and many of the inner parts were finished in Robar's Teflon-enhanc-